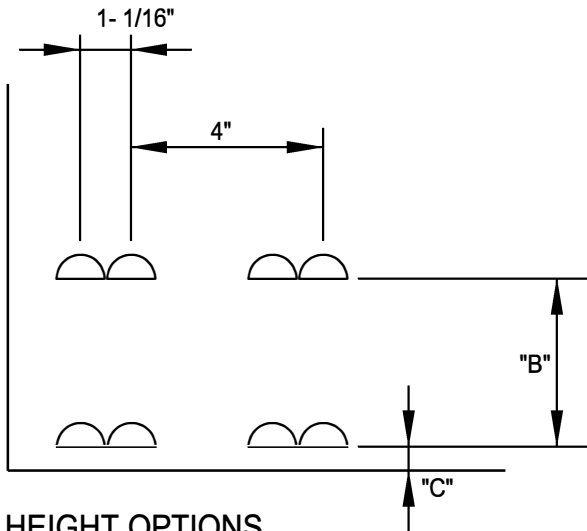


HEIGHT OPTIONS - NTS

<u>PANEL DIMENSION</u>	
<u>"A"</u>	<u>"B"</u>
16"	2- 5/8"
24"	4"
48"	6"
96"	8"
120"	12"
144"	
CUSTOM	

<u>DIMENSION "C"</u>	
BRICK	3/8"
STONE / TILE	3/16"



HEIGHT OPTIONS

<u>TAB DEPTH</u>	
BRICK	3/8"
STONE / TILE	1/4"

## EZ WALL PANEL- STANDARD SIZES

**EZ-WALL**

EZ007

PROJECT NAME:

DRAWN BY:

American Brick  
Company 101 Shafer Dr.  
Romeo MI 48065  
info@ambrico.com

CHECKED BY:

DATE:

JOB NUMBER:

SCALE: 3" = 1'-0"