

1/4" - 3/8" BETWEEN BRICK  
PANEL AND CHANNEL

"J" CHANNEL

SOFFIT

SEALANT- INSTALL PER  
MANUF. SPECS.

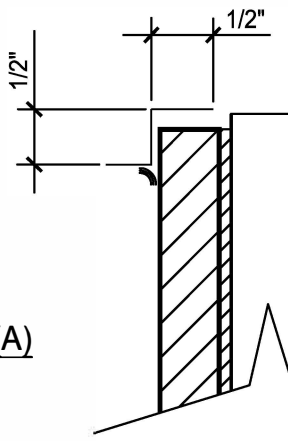
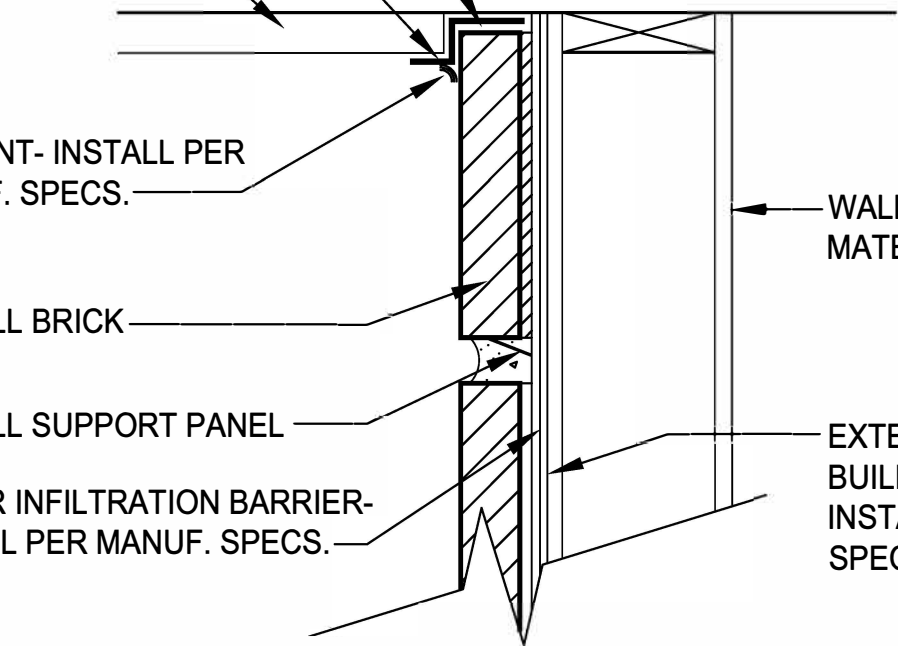
EZ WALL BRICK

EZ WALL SUPPORT PANEL

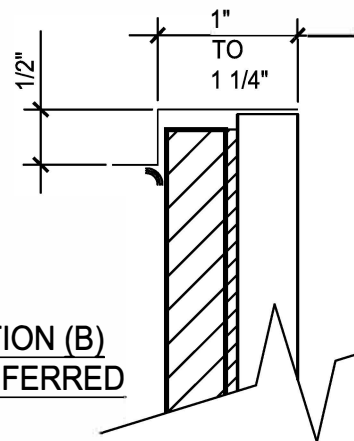
WATER INFILTRATION BARRIER-  
INSTALL PER MANUF. SPECS.

WALL FINISH  
MATERIAL

EXTERIOR FACE OF  
BUILDING SHEATHING-  
INSTALL PER MANUF.  
SPECS.



OPTION (A)



OPTION (B)  
PREFERRED

## TOP DETAIL J - CHANNEL

**EZ-WALL**

EZ005

PROJECT NAME:

DRAWN BY:

American Brick  
Company 101 Shafer Dr.  
Romeo MI 48065  
info@ambrico.com

CHECKED BY:

DATE:

JOB NUMBER:

SCALE: 6" = 1'-0"