

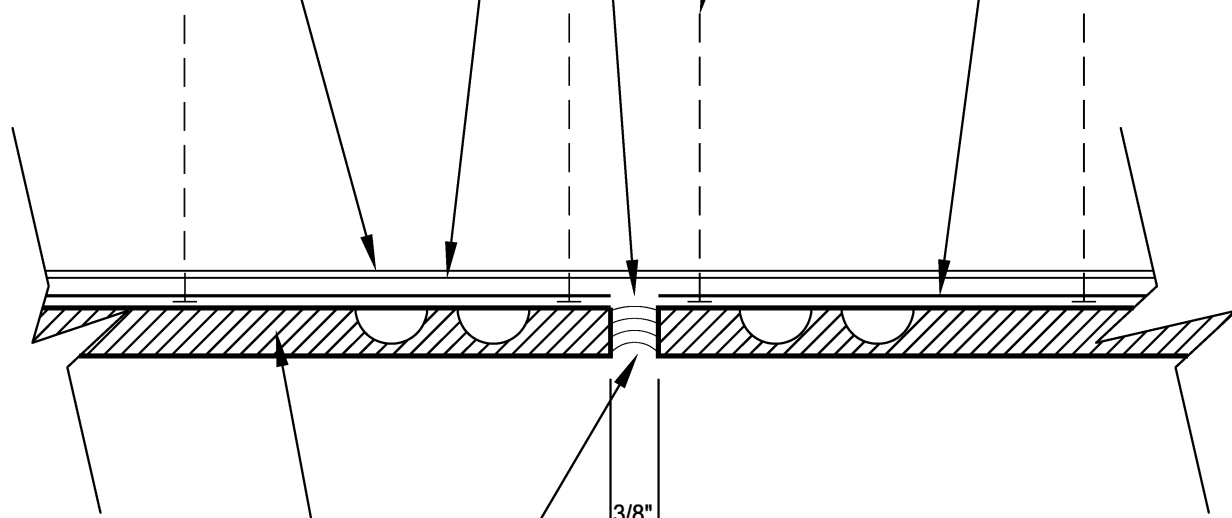
EZ WALL SUPPORT PANEL

"APPROVED" FASTENERS
PER MANUF. SPECS- TYP.

SEPARATE EZ WALL SUPPORT PANEL
AT EXPANSION/CONTROL JOINT

WATER INFILTRATION BARRIER-
INSTALL PER MANUF. SPECS

EXTERIOR FACE OF BUILDING
SHEATHING- INSTALL PER
MANUF. SPECS.



EZ WALL BRICK

SEALANT- PER. MANUF. SPECS.

EXPANSION / CONTROL JOINT
THICKNESS TO BE DETERMINED BY
ARCHITECT AND/OR ENGINEER- TYP.

3/8"
MIN

VERTICAL / CONTROL JOINT SECTION

EZ-WALL

EZ002

PROJECT NAME:

DRAWN BY:

American Brick
Company 101 Shafer Dr.
Romeo MI 48065
info@ambrico.com

CHECKED BY:

DATE:

JOB NUMBER:

SCALE: 6" = 1'-0"